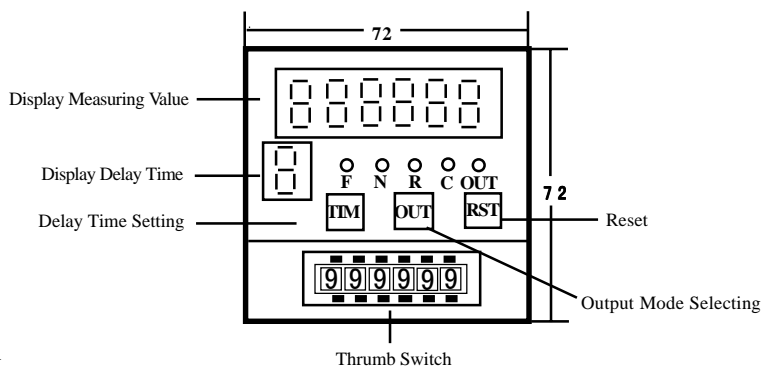


5、 Operations

- 5.1、 The windows and keys on the panel as the illustrate Measuring Value, Delay Time Display, Delay Time Setting, BCD Switch, Output Mode Selecting, Reset .
- 5.2、 TIM key is to modify the delay time. When the delaytime is 0-1, press TIM key, delay time will increase 0.2second. When the delay time is >1, press TIM key, delay time will increase 1second till to 15 seconds.
- 5.3、 Press OUT key for 3 seconds, entering the output mode selecting estate. Press OUT key to select F, N, R, C and then the relative lamp of F, N, R, C will be on.



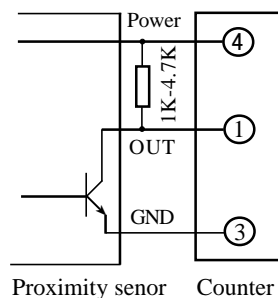
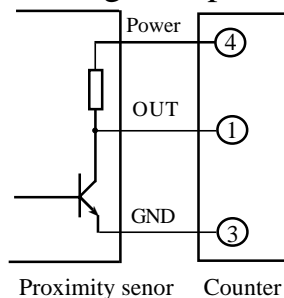
F, M mode no delay time setting			
Delay time displaying	Actual delay time (S)	Delay time displaying	Actual delay time (S)
0	0;0.2or0.4	8	8
1	1	9	9
2	2	A	10
3	3	B	11
4	4	C	12
5	5	D	13
6	6	E	14
7	7	blank screen	15

6、 Illustrate of output mode of the counter

There are 4 types of output modes for option.

Output mode setting	N	F	R	C
Count up action	Output and the measuring value will remain till reset.	Measuring value goes on, output will remain till reset.	When measuring value reaches setting value, relay on and output continue to preset time, till to the reset.	The counter will reset when the measuring value reaches setting value, relay on and output continue to preset time, till to the reset.

7、 Connecting with proximity sensors



TOKY

东崎仪表
杰出品牌

TOKY ELECTRICAL CO., LTD

Hongkong (FAX) : 00852-26146109

(Add): NO.1 Gaosha Road Dongsheng Town Zhongshan City Guangdong Province China

<http://www.toky.com.cn>

Mainland (FAX) : 0760-2226859

E-mail: xs@toky.com.cn