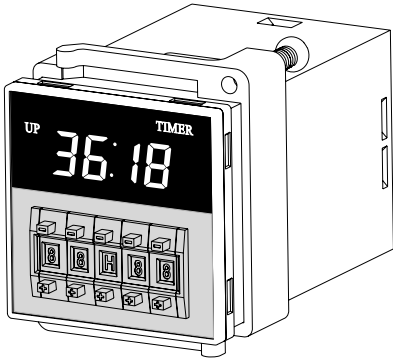


# HD4 Series Timer Relay

## Features



- Strong anti-jamming capacity , high timing accuracy
- Range:0.01S-99.99H , can be set freely
- Small size , optional panel mounting or DIN rail mounting
- With dust cover to protect the dial switch.

## Timing Range

Delay Time Unit Select	Ajustable Timing Range
Second (S)	0.01 Second-99.99 Second
Minute (M)	0.01Minute-99.99Minute
Hour (H)	0.01Hour-99.99Hour

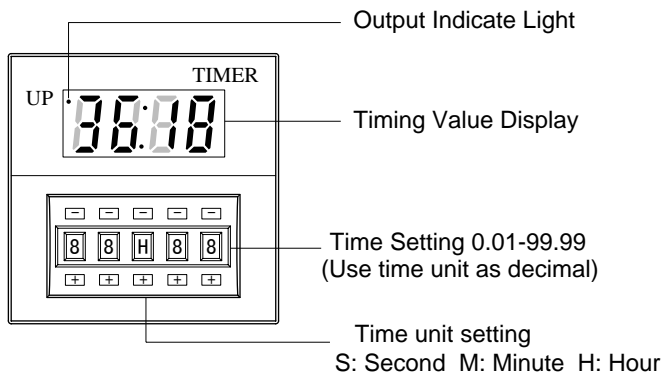
## Technical Specification

Power	220VAC±10% 50HZ、110VAC±10% 60HZ 24VDC ±10%
Power Consumption	≤2W
Timing Range	0.01Second-99.99Second、0.01Minute-99.99Minute 0.01Hour-99.99Hour
Delay Time Error	Power Start: ±1% ±0.1Second Signal Start :±1% ±0.05Second
Reset Time	<0.2Second
Delay Method	On Delay
Display	0.3" LED Display
Contact Capacity	250VAC 3A
Working Life	Mechanical life: above 5 million times Electrical life: 100,000 times under rated load
Pulse Anti-jamming	Power terminal:4KV Signal terminal:2KV (Pulse Width=10us)
Dielectric Voltage	Power terminal-All metal terminals 2000VAC/50Hz/1 minute
Ambient Temperature	-10- 55℃
Ambient Humidity	35-85%RH

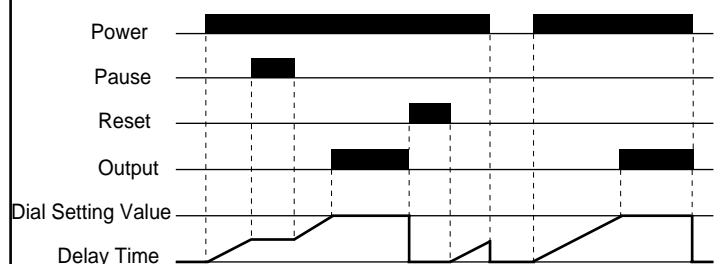
## Ordering Code

Model	Action Method	Delay Contact	Instant Contact	Pause/Reset
HD4-RB41A	Single Delay	One NO&NC	NO	YES
HD4-RC41B	Single Delay	One NO&NC	One No&NC	NO
HD4-RC41C	Single Delay	Two NO&NC	NO	NO

## Panel Illustration



## Output Logic Table

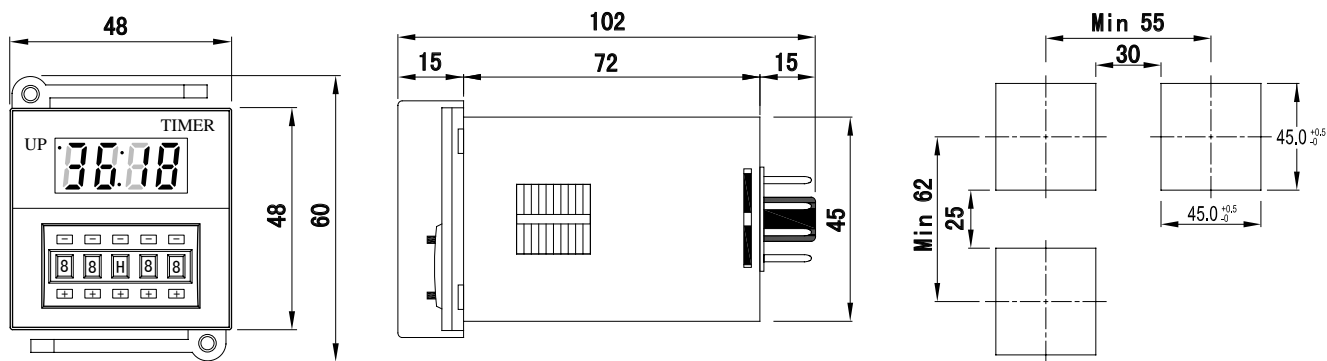


## Model Illustration

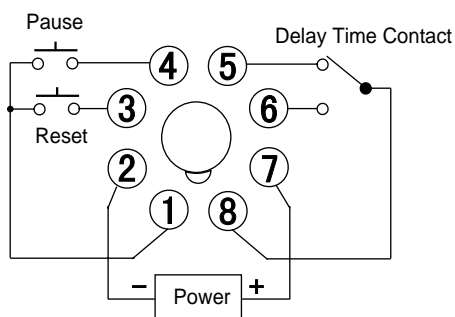
HD4		R	B	4	1	A	Design Code	A: 1 loop delay output + Pause/Reset Input B: 1 loop delay output + 1 loop instant output C: 1 loop delay output ( 2 group NO&NC contact )
							Action Method	1: Single Delay 2: Double Delay
							Display Digit	4: 4 digit LED display
							Output Loop	B: 1 loop output C: 2 loop output D: 3 loop output
							Output Type	R: Relay Output S: SSR Output
							Power	Blank: 220V AC A:110V AC F: 24V DC
							Model	HD4 Series Dial Switch Timer Relay (Size:48*48mm)

# HD Series Timer Relay

## Dimensions (mm)



## HD4-RB41A Connection Wiring

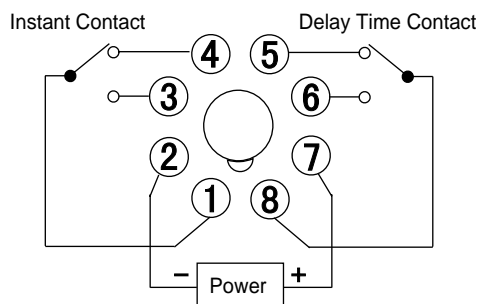


## Attachement

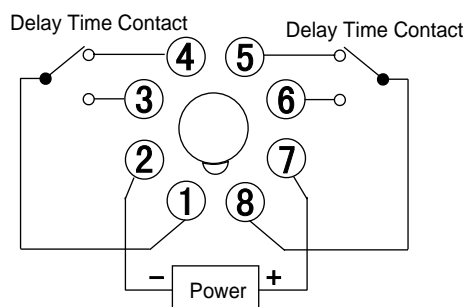
Mounting Method	Code	Specification
Panel Mounting	SHX01	
DIN Rail Mounting	SHX02	

■ If need us to provide the mounting base or need Din rail mounting , please inform us when making order.

## HD4-RC41B Connection Wiring



## HD4-RC41C Connection Wiring



## Note:

1. The interval for power on and power off must exceed 1S. If the interval is very short , can use external reset terminal to realise reset function.
2. It will not come into effect, if change the set time or unit when power on.
3. Set the timing range and delay time when disconnect power, After power on, it begins to timing from zero to set time, and then relay output.
4. Reset function can be used as delay disconnect. When power on, make short circuit the reset terminal with ground, timing value will come back to zero and output relay come back to the original status.
5. Pause function can be used as timer. During power on , make short circuit the pause terminal with ground to realise timing pause function. At the same time , the meter will keep the timing value at present status. After disconnect , it will continue to timing.
6. Do not put reset or pause input signal wire into the same pipe with other strong current wire , either not parallel . Please use shielded conductor.